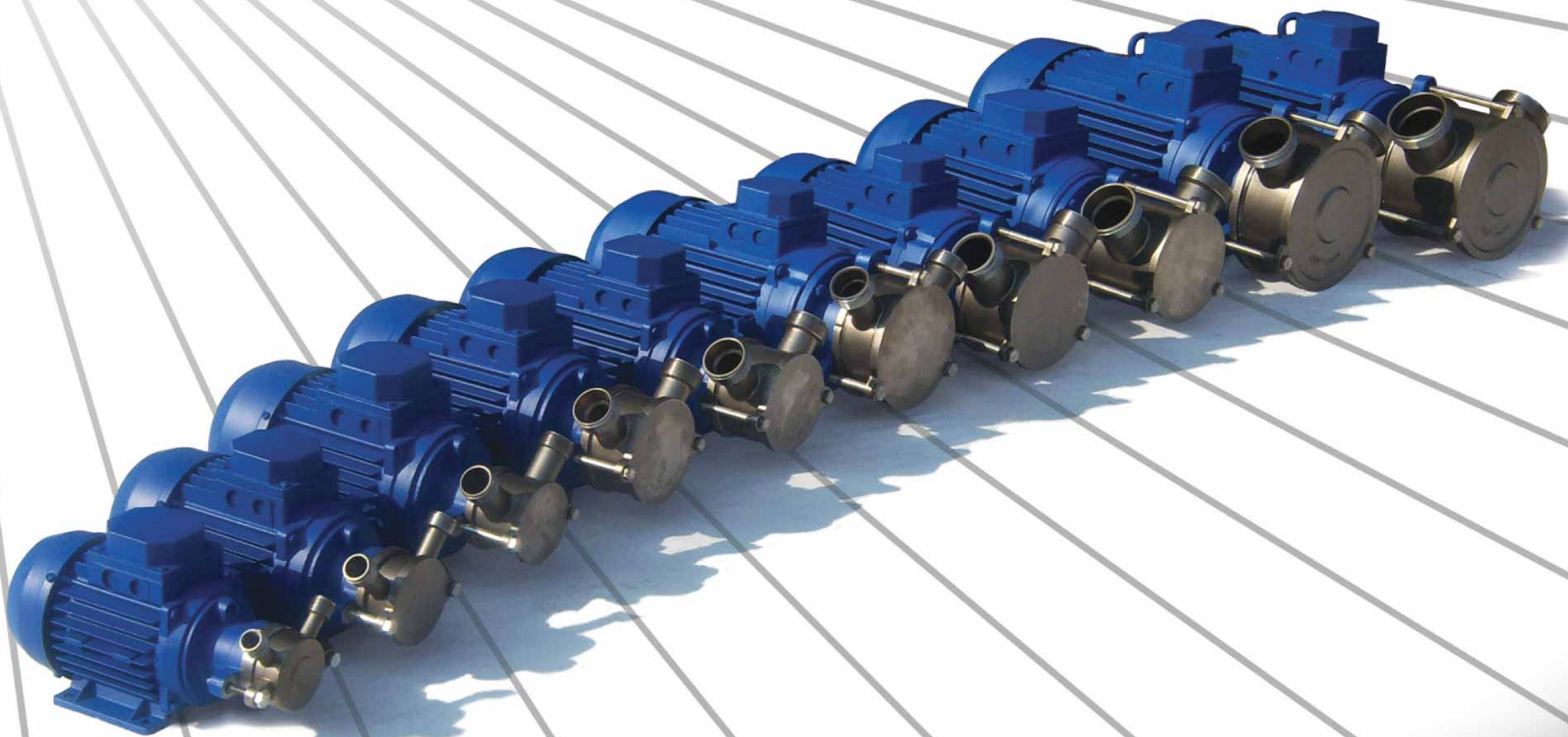


SEF

1972

MAG self priming pumps with flexible impeller are fast and easy to operate



Version:



A = handle + switch + cable 5 m
for models 11 - 22 - 33 - 44 - 55
(reverser supplied on request)



B = truck + switch + cable 5 m
for models 22 - 33 - 44 - 55
(reverser supplied on request)



B = truck + switch + cable 10 m
for models 62 - 66 - 77 - 88 - 99
(reverser supplied on request)



C = for stationary installation



servofan



Electric pump with **IP 65 inverter**, with adjustable speed, assures a running free from pulsations (version **B - C**). Equipped with servofan for the use with inverter.

Self priming AISI 304 and 316L stainless steel pumps with flexible impeller for thick and thin liquids.

The main feature of these pumps is their strenght, due to the process throught which they are manufactured, that is to say stainless steel casting.

The total absence of junctions or welding give to the material a high resistance to abrasion and corrosion.

They feature thick walls (4-5 mm) and smooth surface.

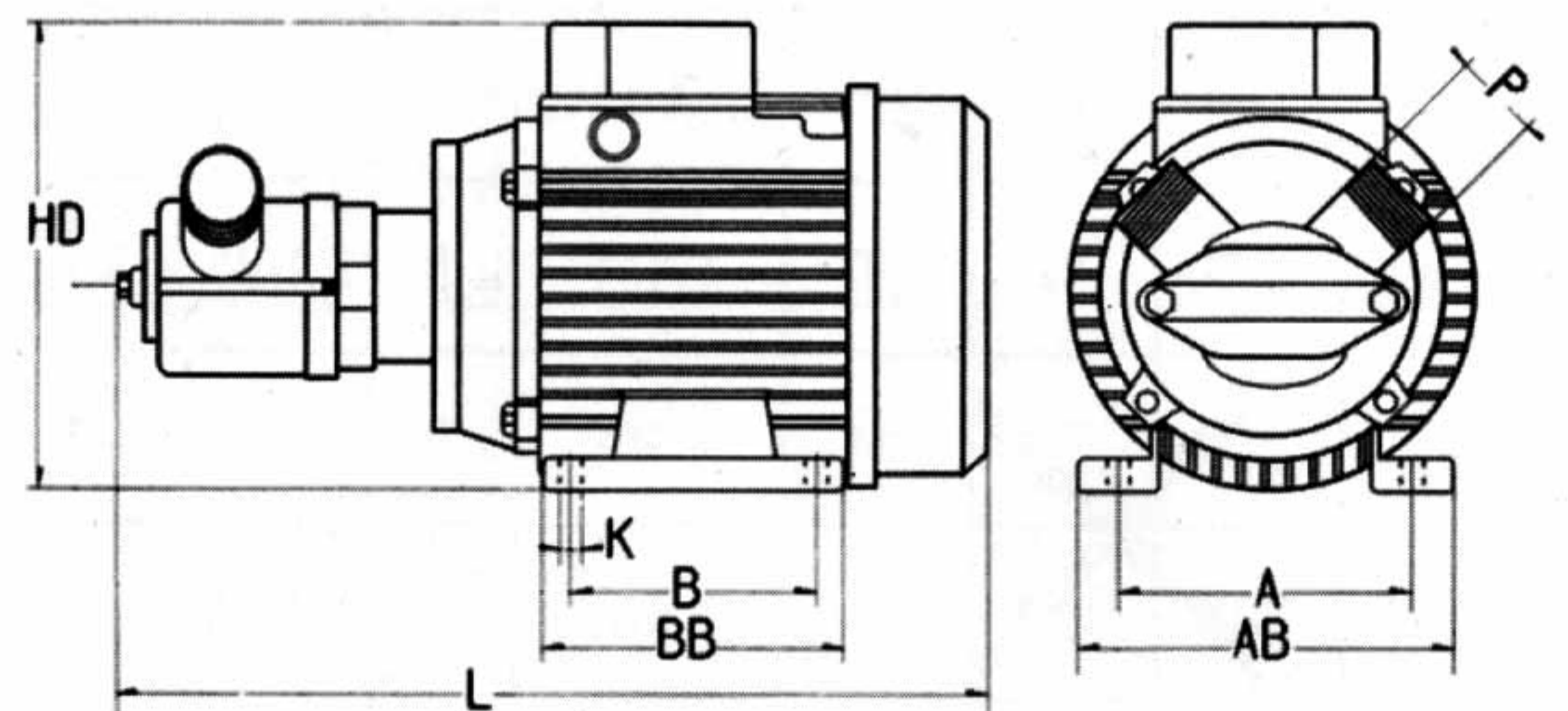
Mag pumps are suitable for whatever industrial sector and they are suitable for trasferring liquids gently without emulsifyng the product.

Instant priming up to 4 - 5 meters. Pumping works in both directions of rotation.

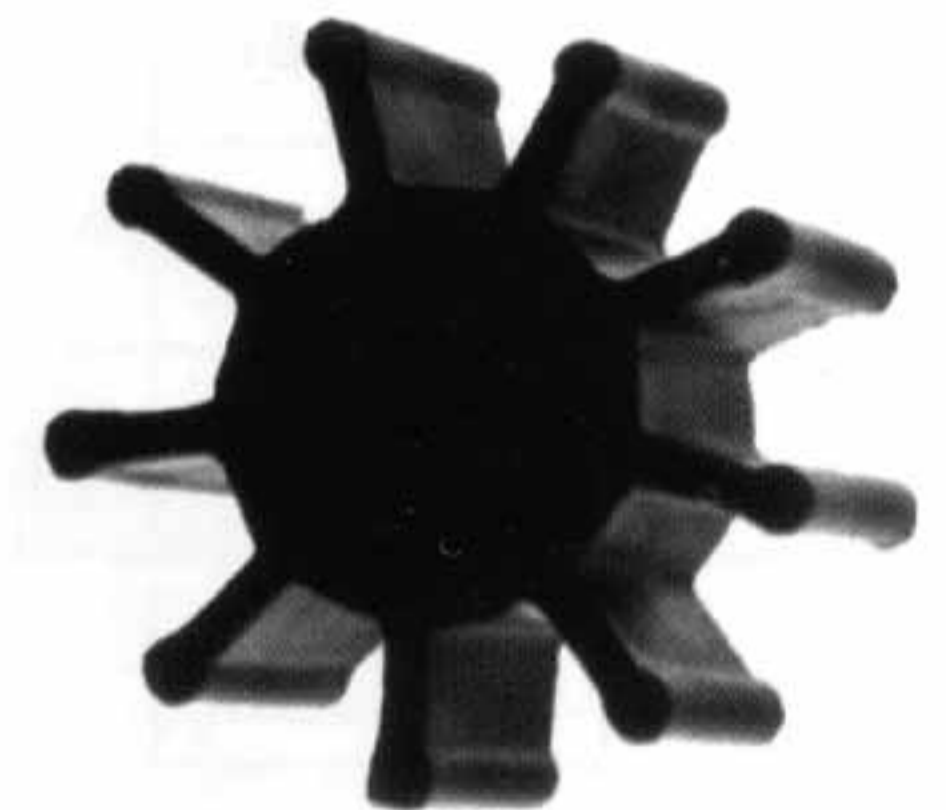
Suitable for thick liquids containing floating bodies.

Mechanical seal is supplied according to the product to be pumped.

The pumps are coupled to the electric motor in compliance with CE standard.



Flexible Impellers

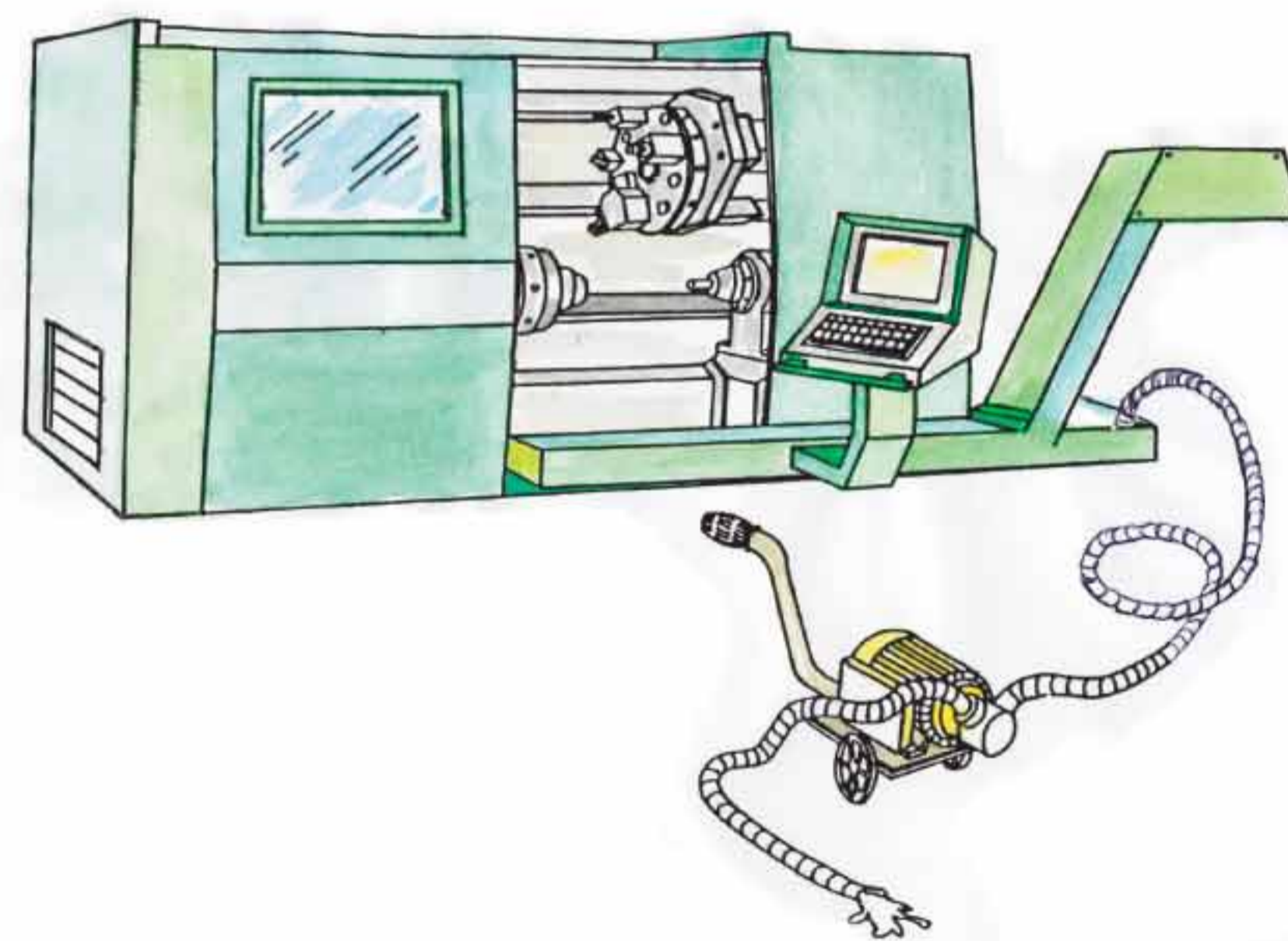
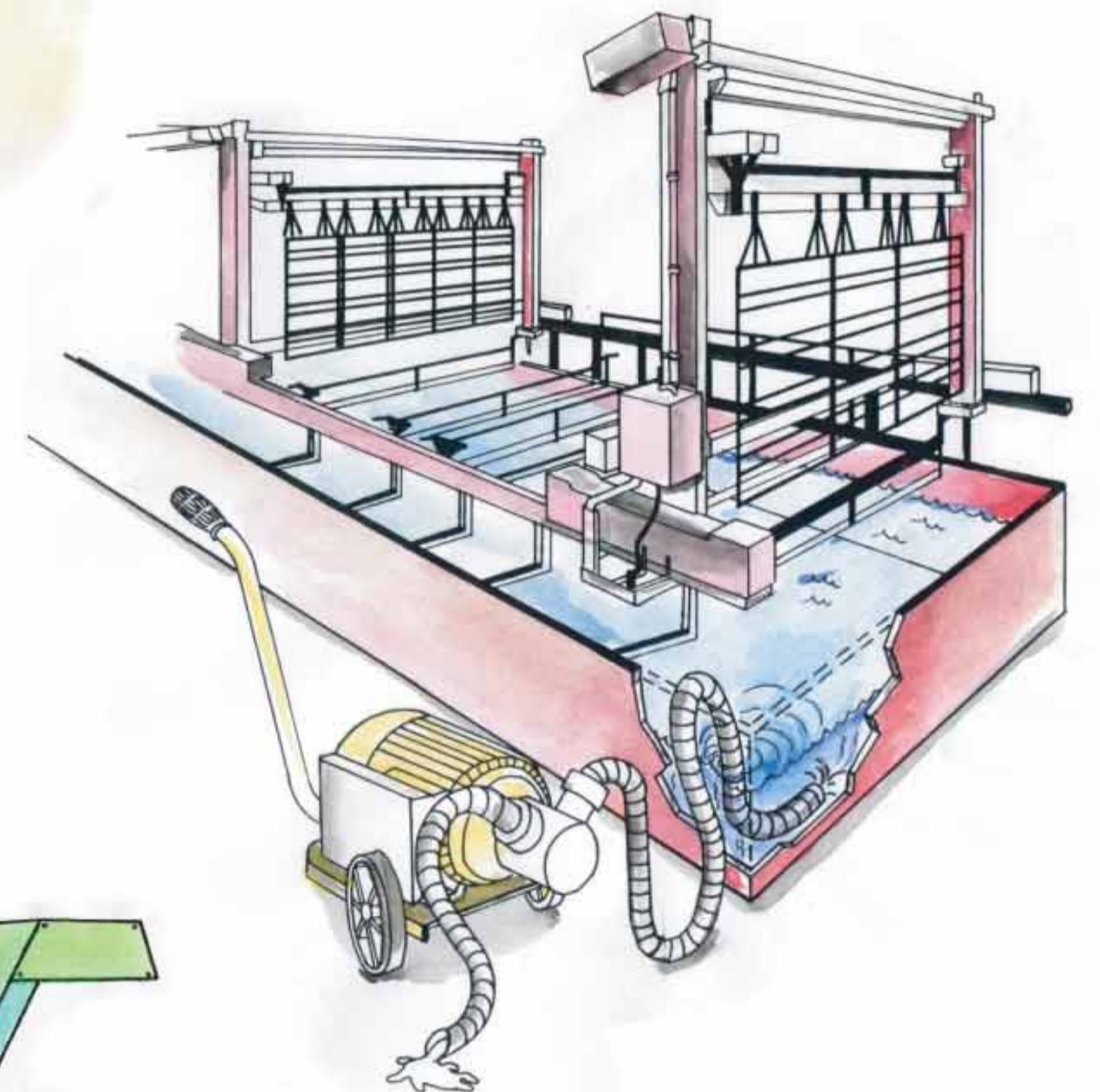
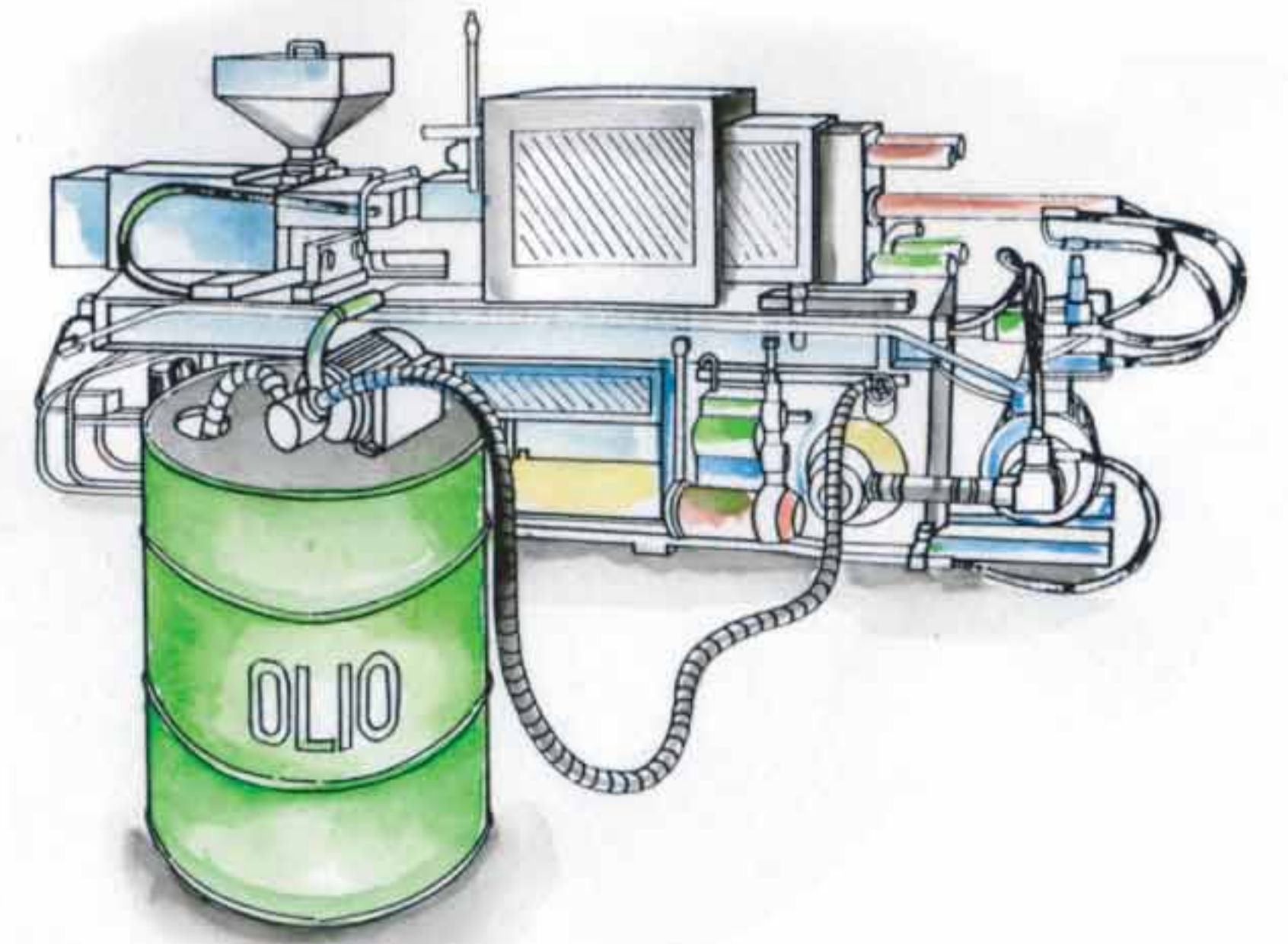


In **Neoprene, Nitrile Rubber, Nitrile Rubber AL, Dutral or Silicone** according to the product to be pumped. The impellers are temperature resistant up to 100° C.

Acid resistant industrial pumps to transfer:

Chemistry
Galvanization
Pharmaceutical
Mechanics

- Saline water
- Galvanic solutions
- Various acids and alkalies
- Inks and dyes
- Latex, H₂O based glues
- Creams, detergents
- Liquid soaps, shampoos
- Starch, lotions
- Dressings, liquid detergents
- Emulsifiable water
- Plasticizers
- Dyes, various oils
- Toothpastes



Purification plants

- Water with sludge
- Acid or basic water
- Dirty water with suspended bodies



Environmental protection

- General drainage
- Spent mineral and vegetable oils
- Untreated waters and sewage
- Process developing waste
- Toxic and noxious liquids

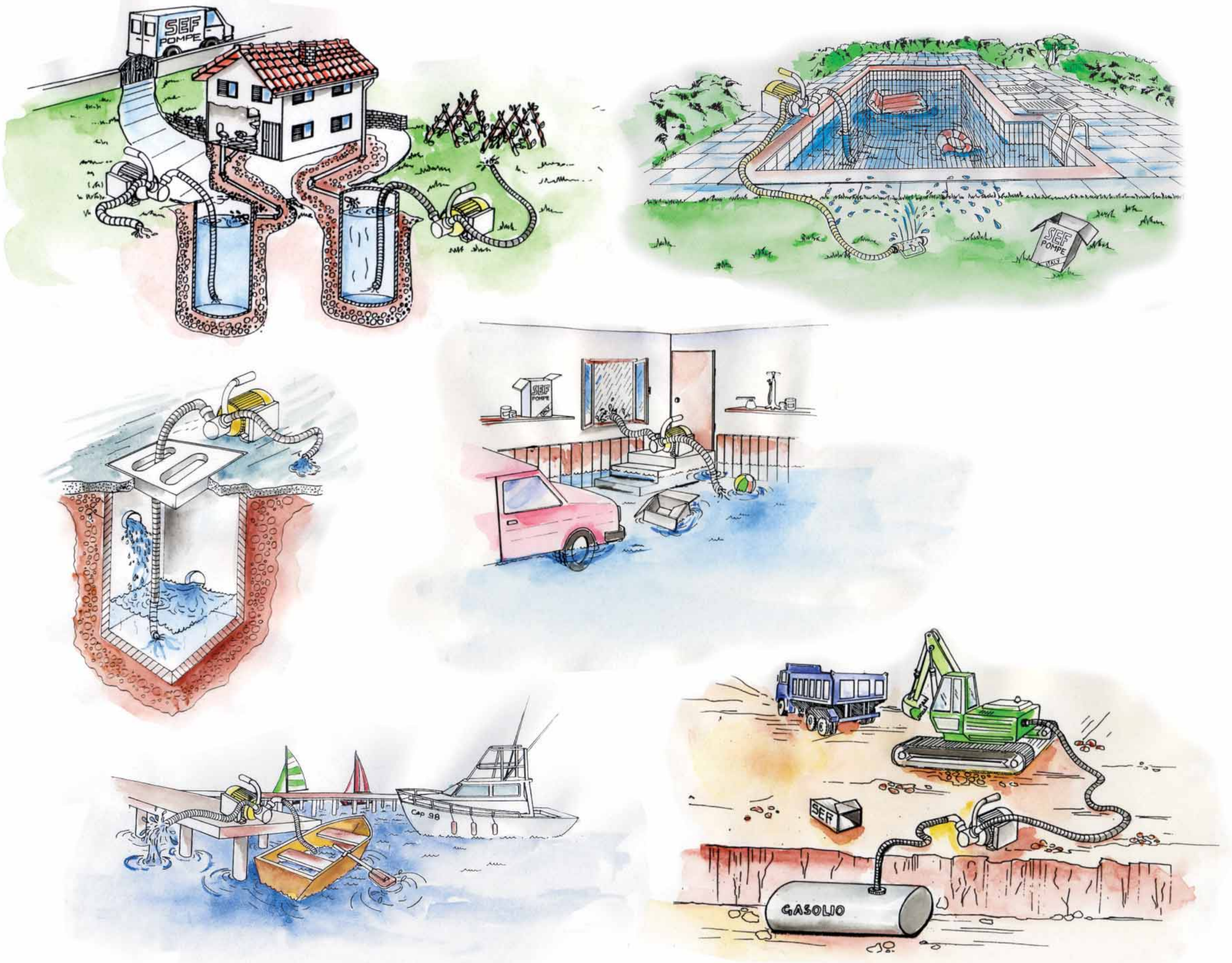


Some good reasons to use MAG pumps:

- Easy to use
- Bottom valve is not necessary
- Pump needs not be filled
- Easy to dismantle and to clean
- No maintenance required: dismantable by anyone with a wrench.

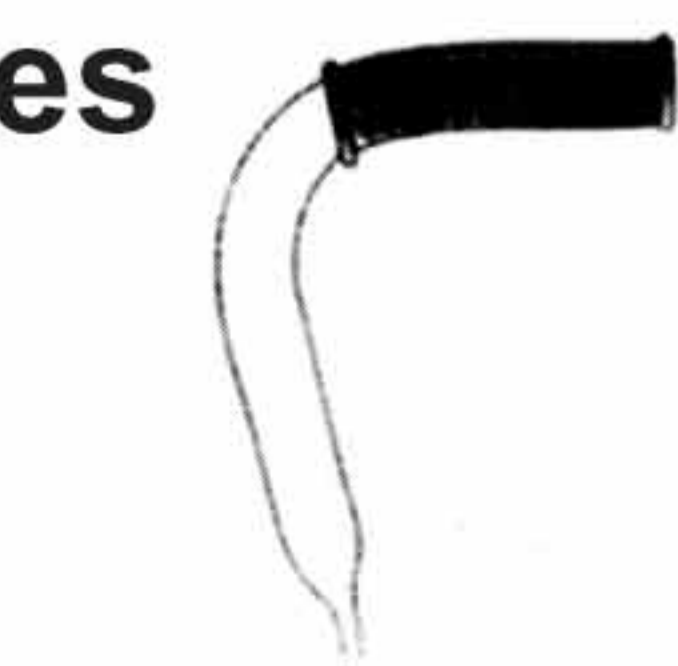


NOTE: do not pump petroline, thinners, solvents or aggressive acids.



MAG pumps can be equipped with flameproof motor.

Accessories



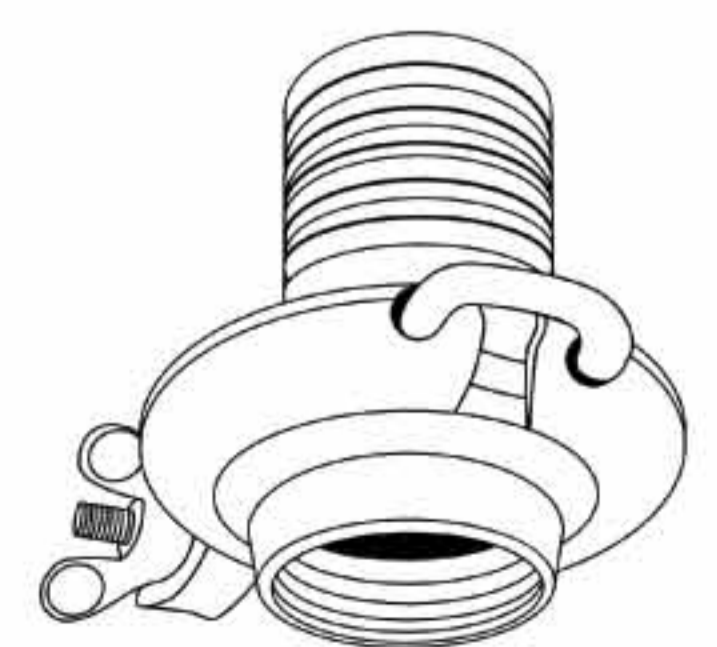
Carrying handle



Truck



Connector with cam lock
(polypropylene or stainless steel
AISI 304 and 316L)

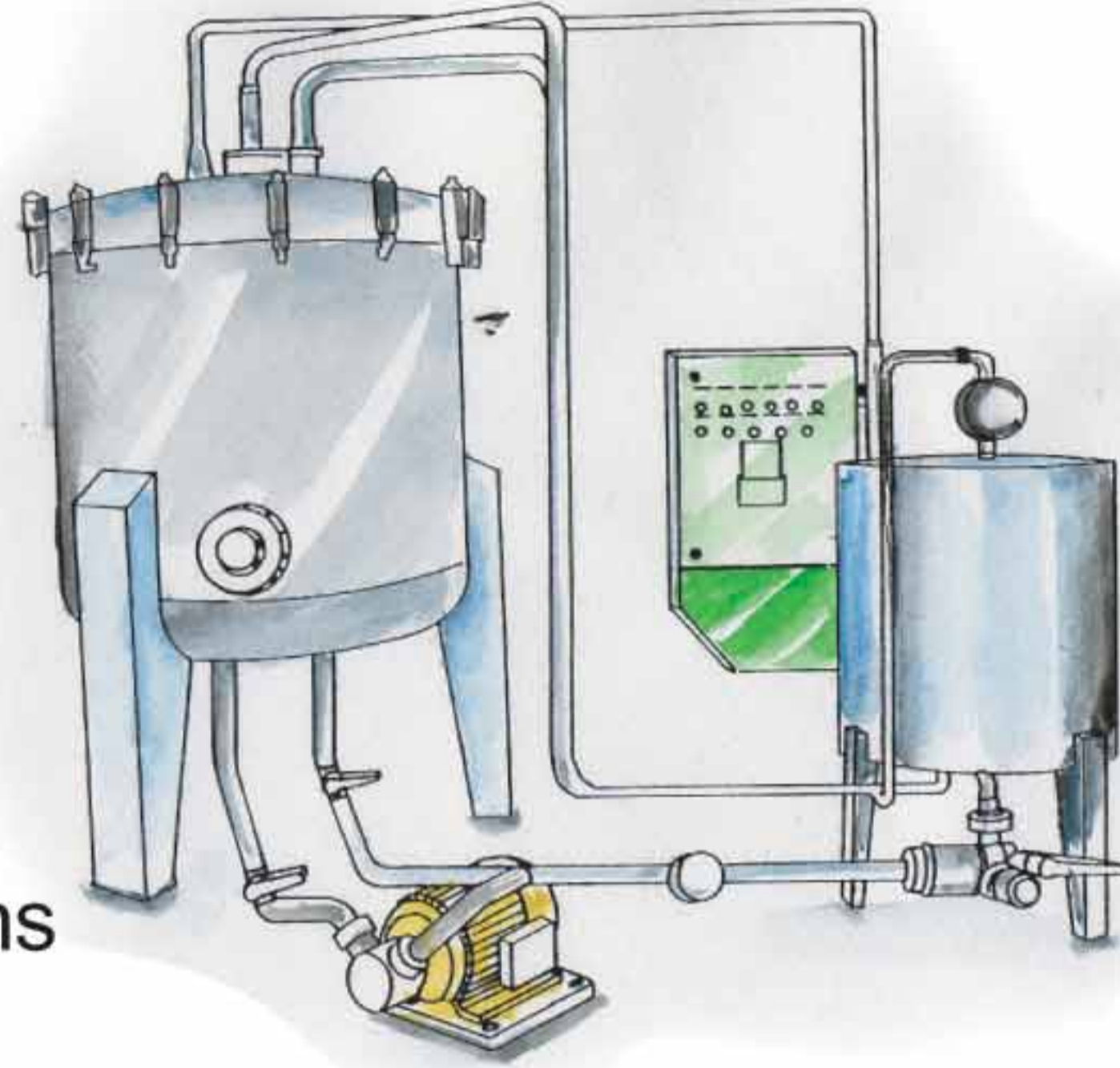
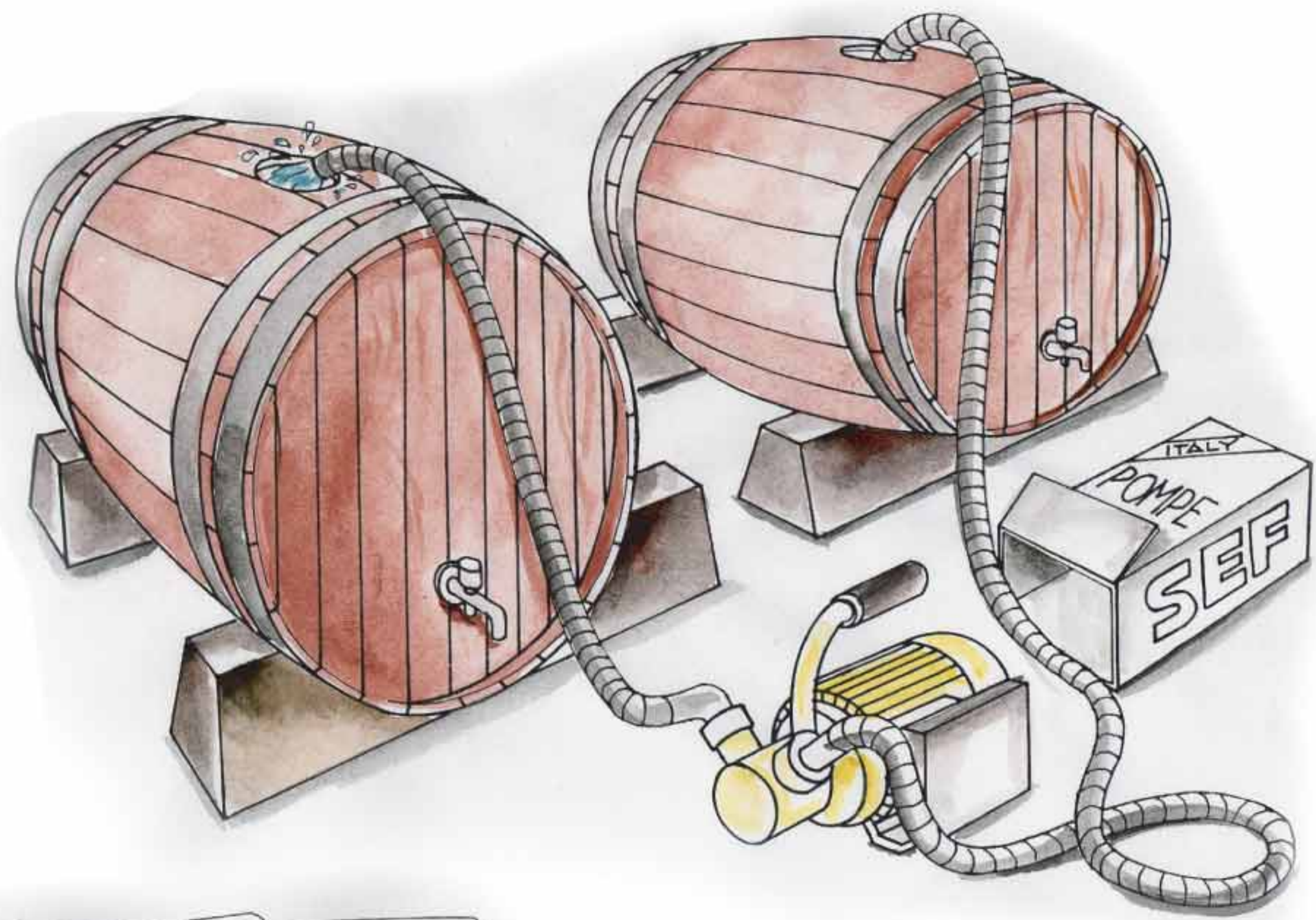


Garolla connector
inox 304

Upon request: spring against opening
for cam lock forbids accidental openings

Agriculture Foodstuffs

- Wine and concentrated must
- Fruit juice
- Tomato sauce
- Vegetable oils, grease
- Milk, condensed milk
- Whey, yogurt, cream
- Jelly, honey, mustard, molasses
- Flavours, beer
- Extracts and syrups
- Vinegar
- Jam
- Brine
- Skimming yeast from fermentations



Version BG

Low RPM electric pump with truck and reversing switch, 10 meters wire. Instant priming up to 2 meters.

Upon request available with two speeds motor. Instant priming up to 4/5 meters.

ELECTRIC PUMPS		HEIGHT = TOTAL HEAD IN METERS				1	5	10	15	20	25	OPENINGS	PIPE FITTING
R.P.M.	TYPE MAG	kw	A	Q = Capacity in litres / minutes (when used with water) +/- 5%								∅	
	BG 44M BG 44T	0,75	6 2,2	Q	60	55	45	40	35	30	1".1/4	1".1/4 x 30	
	550 BG 66M BG 66T	1,5	8 4	Q	150	130	100	75	50	25	2"	2" x 50	
	HZ BG 88T	2,2	6	Q	220	200	170	140	110	80	2".1/2	2".1/2 x 60	
	50 BG 99T	3	7,5	Q	430	400	330	270	230	200	3"	3" x 75	

ELECTRIC PUMPS		HEIGHT = TOTAL HEAD IN METERS			1	5	10	15	20	25	OPENINGS	PIPE FITTING
R.P.M.	TYPE MAG	kW	A	Q =Capacity in litres / minute (when used water) tol. +/- 5%							Ø	
	1400			11 M4 11 T4	0,25	2,1 0,9	Q	14	12	9		
50	22 M4 22 T4	0,37	3,2 1,2	Q	40	38	34	30	24	16	3/4"	3/4" x 20
	33 M4 33 T4	0,75	6 2,1	Q	79	73	66	57	47	30	1"	1" x 25
50	44 M4 44 T4	1,1	7,8 3	Q	120	112	102	88	74	54	1".1/4	1".1/4 x 30
	55 M4 55 T4	1,5	10,5 4	Q	165	155	142	127	110	88	1".1/2	1".1/2 x 40
50	62 M4 62 T4	2,6 2,2	17 6	Q	200	190	175	150	130	110	1".1/2	1".1/2 x 40
	66 M4 66 T4	2,6 2,2	17 6	Q	350	340	320	300	280	260	2"	2" x 50
	77 T4	4	10	Q	470	450	430	400	380	360	2".1/2	2".1/2 x 60
920	11 M6 11 T6	0,25	2 1,1	Q	10	9	4				1/2"	1/2" x 13
	22 M6 22 T6	0,25	2 1,1	Q	30	27	24	21	17	13	3/4"	3/4" x 20
50	33 M6 33 T6	0,55	4,5 2,1	Q	57	53	47	41	33	24	1"	1" x 25
	44 M6 44 T6	0,75	5 2,5	Q	84	75	64	52	39	24	1".1/4	1".1/4 x 30
50	55 M6 55 T6	1,1	7,5 3,6	Q	117	108	96	82	67	50	1".1/2	1".1/2 x 40
	62 M6 62 T6	1,8 1,5	12 4,8	Q	145	135	120	100	80	60	1".1/2	1".1/2 x 40
50	66 M6 66 T6	1,8 1,5	12 4,8	Q	240	222	200	180	160	140	2"	2" x 50
	77 T6	2,2	5,6	Q	300	285	265	240	215	185	2".1/2	2".1/2 x 60
	88 T6	3	7,3	Q	540	520	490	420	370	300	2".1/2	2".1/2 x 60
700	22 T8	0,25	1,3	Q	21	20	18	15	12		3/4"	3/4" x 20
	33 T8	0,35	1,8	Q	40	36	31	25	19	12	1"	1" x 25
50	44 T8	0,55	2,4	Q	63	58	57	44	30		1".1/4	1".1/4 x 30
	55 T8	0,75	2,7	Q	80	74	66	58	47	35	1".1/2	1".1/2 x 40
50	62 T8	1,5	5	Q	110	95	80	65	50	30	1".1/2	1".1/2 x 40
	66 T8	1,5	5	Q	152	140	124	108	92	76	2"	2" x 50
50	77 T8	1,5	5	Q	235	220	200	180	158	135	2".1/2	2".1/2 x 60
	88 T8	3	9	Q	420	400	380	360	300	240	2".1/2	2".1/2 x 60
	99 T8	4	10,5	Q	600	550	480	400	320	250	3"	3" x 75

M = Single-phase motor 230 volt 50 HZ T = Three-phase motor 400 volt 50 HZ

<p>032 628964 032 942464 0888809588 sales@h2o-air.com</p>	<p>“ ГЛОБАЛ ГАРАНТ “</p> <p>МАГ "H₂O" ПЛОВДИВ</p>
---	--