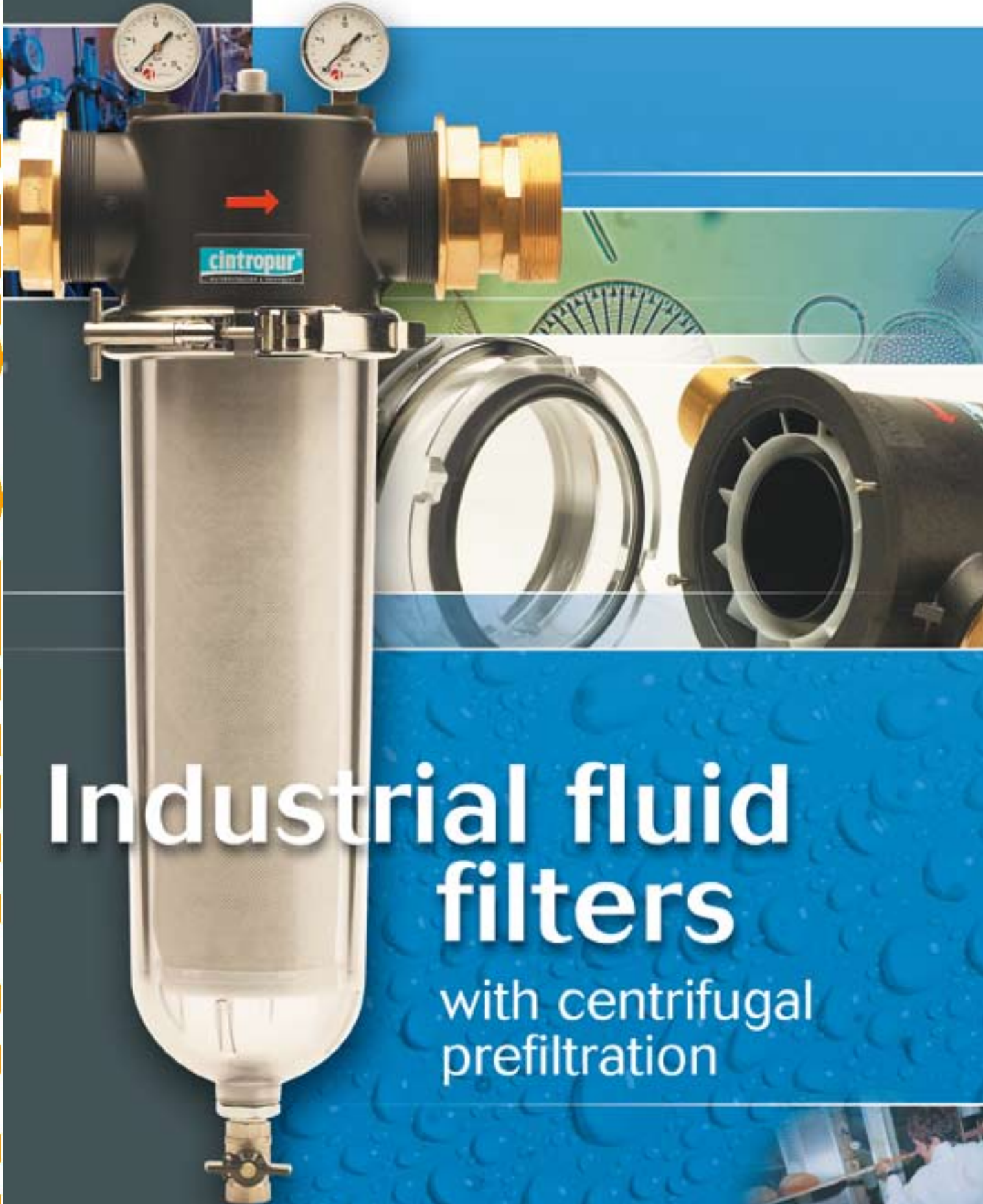


www.h2o-air.com

**cintropur**<sup>®</sup>

WATERFILTRATION & TREATMENT



# Industrial fluid filters

with centrifugal prefiltration





## GENERAL DESCRIPTION

Made entirely from first quality synthetic material, CINTROPUR filters are perfectly suitable for food products and drinking water.

The CINTROPUR vane transforms the liquid flow into a centrifugal spin by throwing the larger particles down into the lower bowl, according to the chosen filter sleeve micron-size.

### Basic principle

Protection of industrial as well as residential and agricultural installations by filtering the solid particles (earth, sand, rust, etc,...) suspended in the water.

### APPLICATIONS

**Industry :** Protection of sanitary fittings and machine tools.

**Agriculture :** Filtration of watering (spraying) installations ;

Filtration of water for animals ;

Filtration of rainwater and well water.

**Groups :** (hotels, restaurants, schools, buildings, ...) protection of the sanitary installations and all electrical/domestic appliances.

### Advantages :

- high and constant flow rate ;
- low pressure drop ;
- centrifugal prefiltration with a cyclonal effect ;
- robustness and reliability ;
- fast and easy flushing out ;
- permanent visual control of the filter sleeve (transparent bowl) ;
- exclusive system, ecological and not expensive (filter sleeve).

### Water treatment

The water treatment (TE) models NW 50, 62 and 75 are equipped with a special device that allows the use of different water treatment products.

- *Polyphosphates, silicates and silicon-polyphosphates.*

Efficient up to 60°C / 140° F, these products are used to reduce the harmful and scaling effects of the water hardness. The protection of new installations against rust is also a well known application.

- *Activated carbon*

The activated carbon CINTROPUR SCIN is sold separately and is highly suitable for the improvement of taste and the removal of odour, chlorine, ozone, micropollutants such as pesticides and other dissolved organic substances.



**NW 50 TE**  
+ activated carbon

## NW 50

Ø2"



## NW 62

Ø2 1/2"



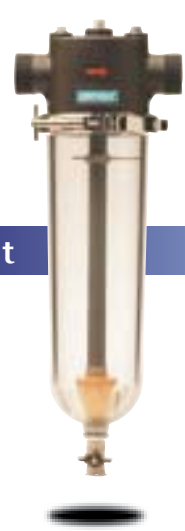
## NW 75

Ø3"



## NW 50 TE

Ø2"



### Filtration

Standard filter delivered as shown (with a 25 µ filter sleeve).

### Treatment



#### 1 Pressure gauges 0-20 bar 1/4"

Gives the pressure of the installation. Filter sleeve to be changed at 1 bar / 14.22 psi ΔP, or at least three times a year.

#### 2 Bayonet system

Fastening between the bowl and the filter head (4 key holes openings to fix the stainless steel lugs in the filter head) for a better and easier manipulation of the filter clamp.

#### 3 Centrifugal vane

Fitted as standard with every filter sleeve model. The centrifugal force given to the liquid flow separates the «larger» particles by throwing them down into the lower bowl.

#### 4 Drain cock 1/2"

Allows the draining under pressure of the larger particles collected by the centrifugal effect. The bowl is screwed into place by hand (no tools required).

### ACCESSORIES

#### A. Brass connections that can be dismantled

2 part connections of the same diameter as the inlet/outlet and sealed by o-ring.

#### B. Wall bracket

In stainless steel and fastened onto the filter head with 2 pressure gauges. The same bracket for all the industrial filters.

#### C. Black bowl

Avoid the forming of algae while exposed to the direct sunlight.

#### D. Device for chemicals TE

Used for water treatment with activated carbon or polyphosphates. Can also be placed into the NW 62 and NW 75.

### REFILL

#### E. Filter sleeve (sets of 5 pieces)

Non washable : 5µ / 10µ / 25µ / 50µ / 100µ

Washable : 150µ / 300µ

#### F. Activated carbon

Quality CINTROPUR SCIN

Carton of 3.4 liters / 0.90 US Gal. For the bowls of NW 50TE, NW 62TE, NW 75TE : 4.35 liters / 1.15 US Gal.

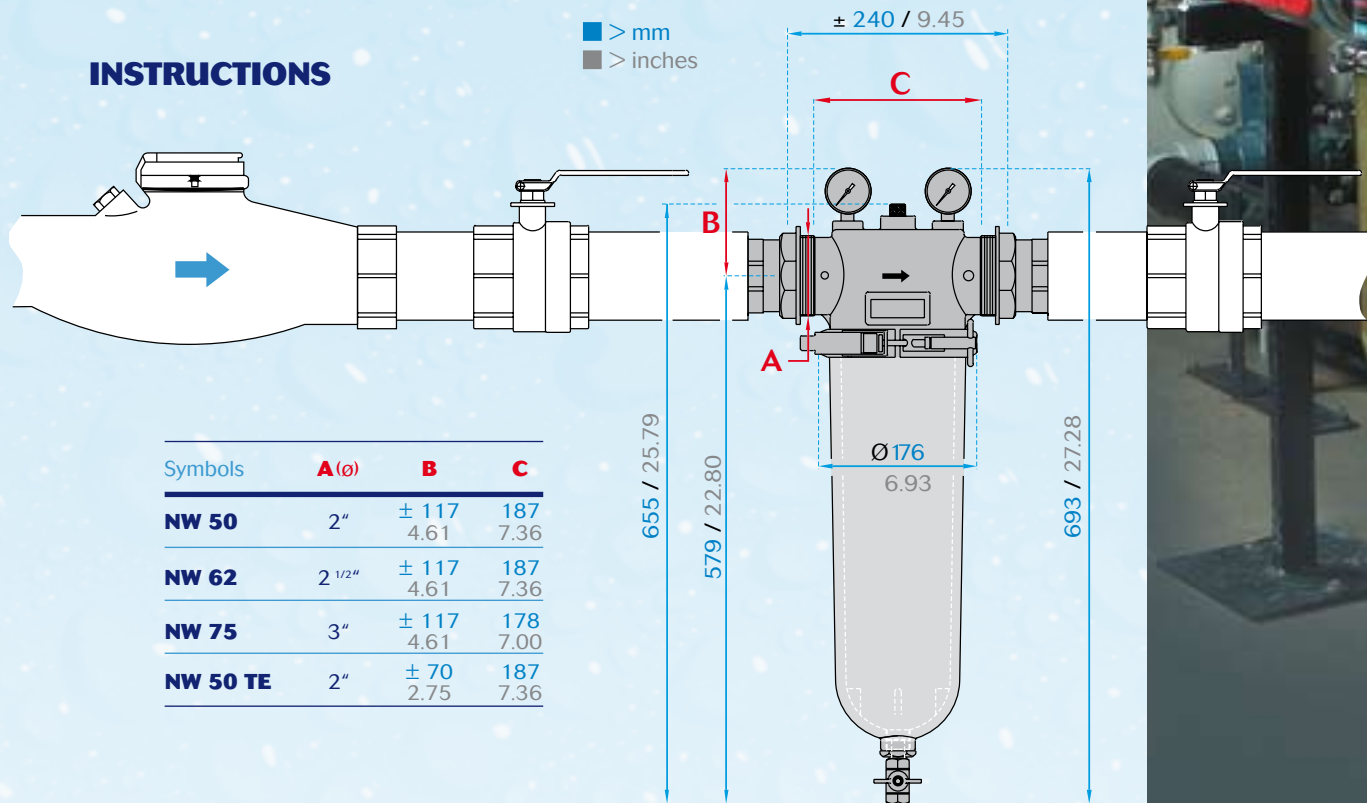


## TECHNICAL DATA

Filter type		NW 50	NW 62	NW 75	NW 50 TE
Diameter of pipe		2"	2 1/2"	3"	2"
Average flow rate : $\Delta P = 0.2 \text{ bar} / 2.8 \text{ psi}$	m <sup>3</sup> /h gpm	20 88	25 110	30 132	1* 4.4*
Working pressure :	bar psi	10 142	10 142	10 142	10 142
Max. operating pressure :	bar psi	16 228	16 228	16 228	16 228
Max. operating t°		50° C 122° F	50° C 122° F	50° C 122° F	50° C 122° F
Weight :	kg pounds	3.2 7.05	3.2 7.05	3.2 7.05	3.2 7.05
Standard filter sleeve		25 $\mu$	25 $\mu$	25 $\mu$	—
Volume of the bowl :	ltr US Gal	— —	— —	— —	4.35 1.15
Filtration surface :	cm <sup>2</sup> Sq inches	1 250 193.75	1 250 193.75	1 250 193.75	— —

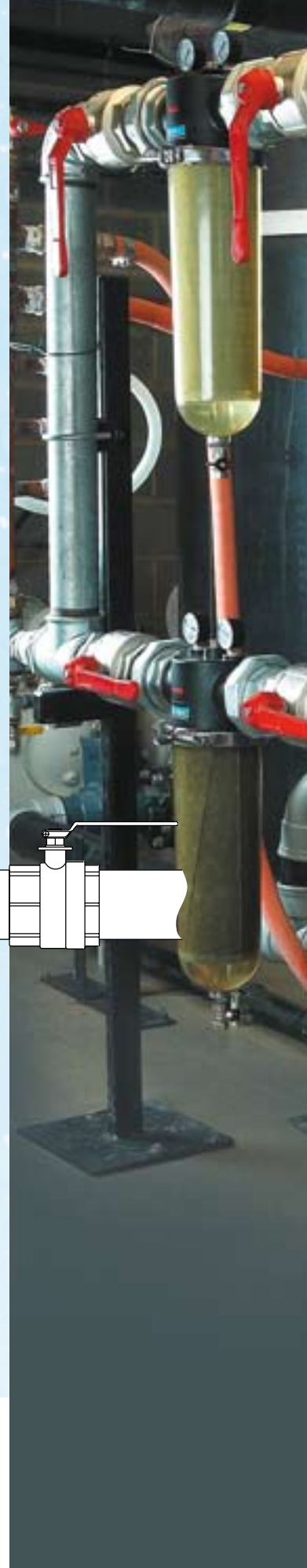
\* Value with activated carbon CINTROPUR SCIN

## INSTRUCTIONS



Your supplier :

“ ГЛОБАЛ ГАРАНТ “  
 МАГ “H<sub>2</sub>O” ПЛОВДИВ



032 628964  
 032 942464  
 0888809588  
 sales@h2o-air.com